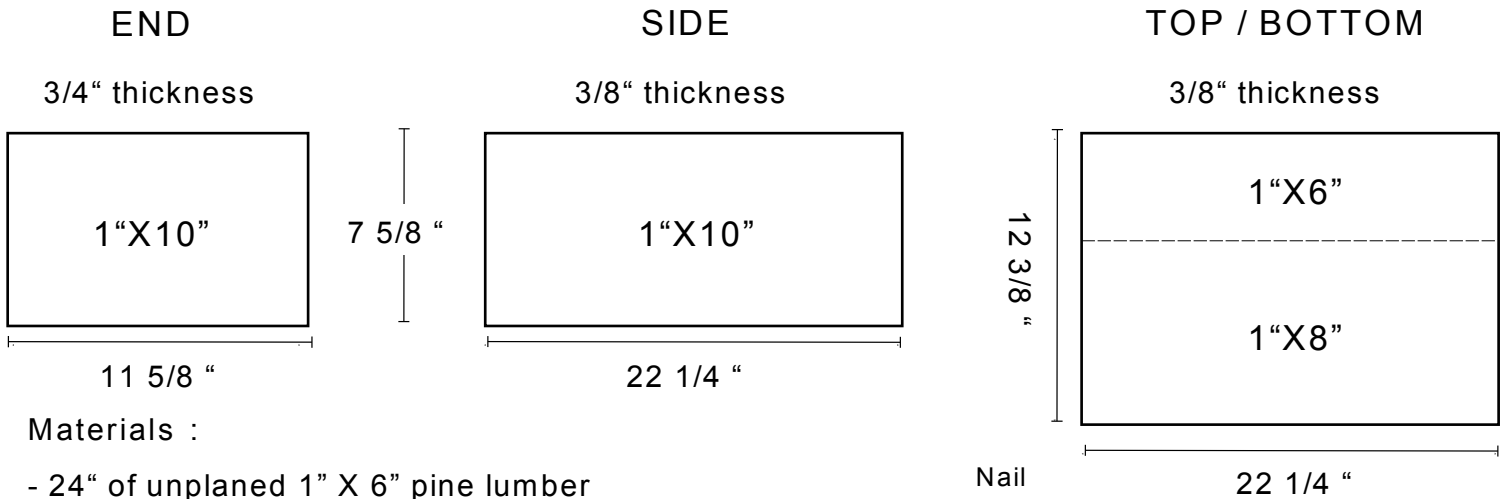


# US Military Crate Specs: K Ration

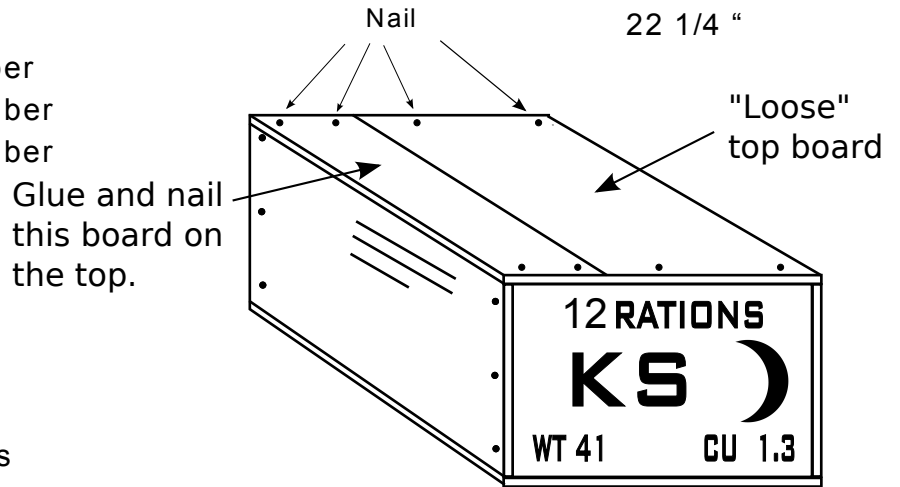


## Materials :

- 24" of unplanned 1" X 6" pine lumber
- 48" of planed (3/8") 1" X 6" pine lumber
- 48" of planed (3/8") 1" X 8" pine lumber
- 48" of planed (3/8") 1" X 10" pine lumber
- 3d bright box nails
- waterproof glue

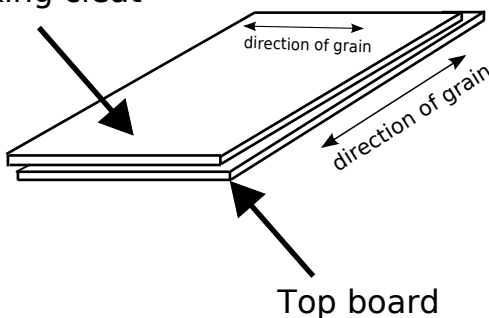
## Notes :

- Ends and sides are the same height.
- It is recommended that you glue and clamp boards together first.
- Try to use boards with as few knots as possible.



View of inside of top board showing locking cleat

Locking cleat



Top board

Hand sanding or filing may be necessary to obtain a snug fit.

American Military Impressions May 2004

You can leave one top board loose and create the appearance of a sealed crate. Use two nails at the end of each top board. Clip the nails for the "loose" board to 1/4" and tap them in place.

Cut and glue a "locking cleat", with its grain running at 90 degrees to the grain of the top board, to the underside of the top board. The "locking cleat" should press against the inside of the crate along both ends and one side. It should extend past one edge of the top board by at least 3/4" in order to "lock" in and under the other board that you glued and nailed in place.

This will hold the loose top board in place, and with the nails, it will appear to be sealed shut. Additionally, this method will prevent the thin wood of the top board from "curling" in damp or humid conditions.